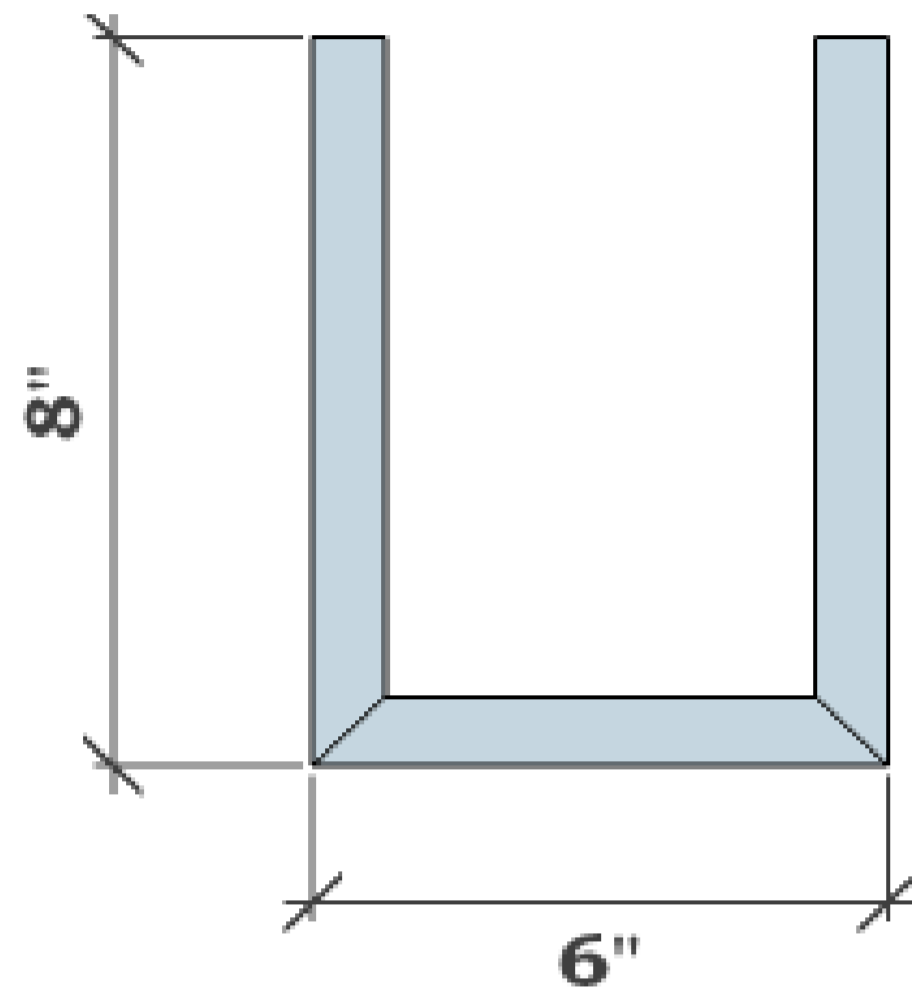
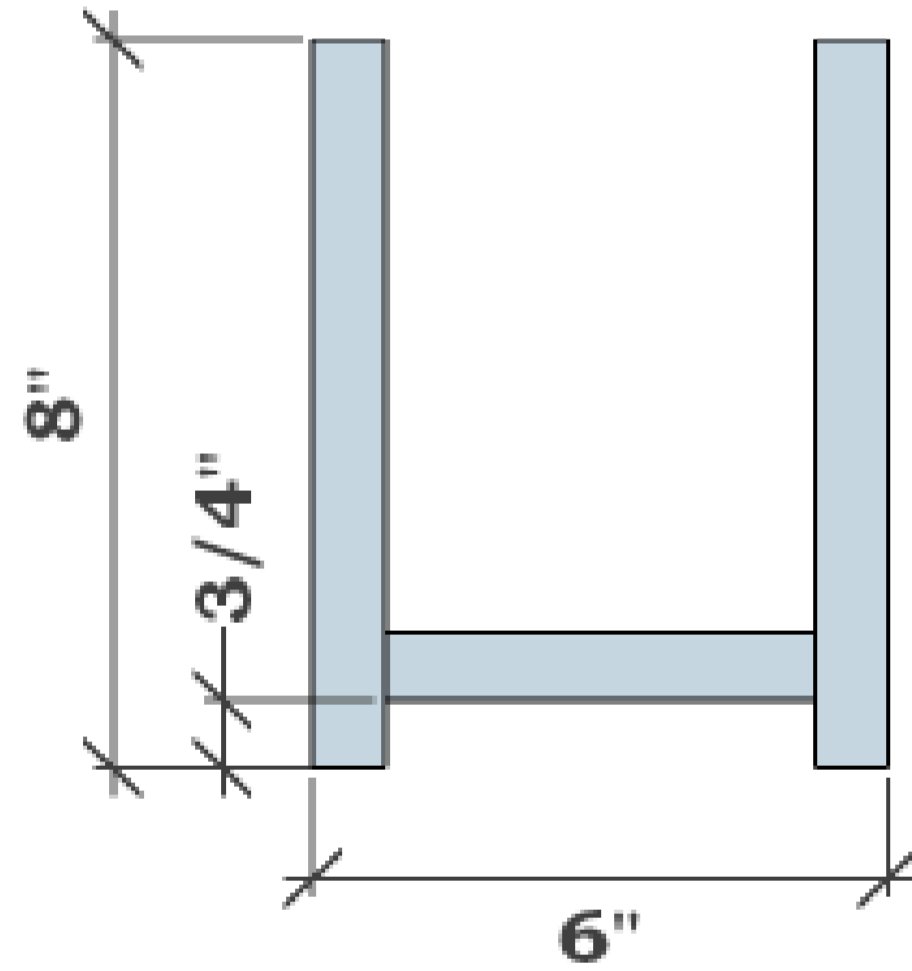


**Miter Fold and Box Beam-Product # 5W-MF868**  
**Beam Length 8'-10 Lengths**  
**Dimensions: 4x6, 6x6, 8x6 and Custom Sizes**

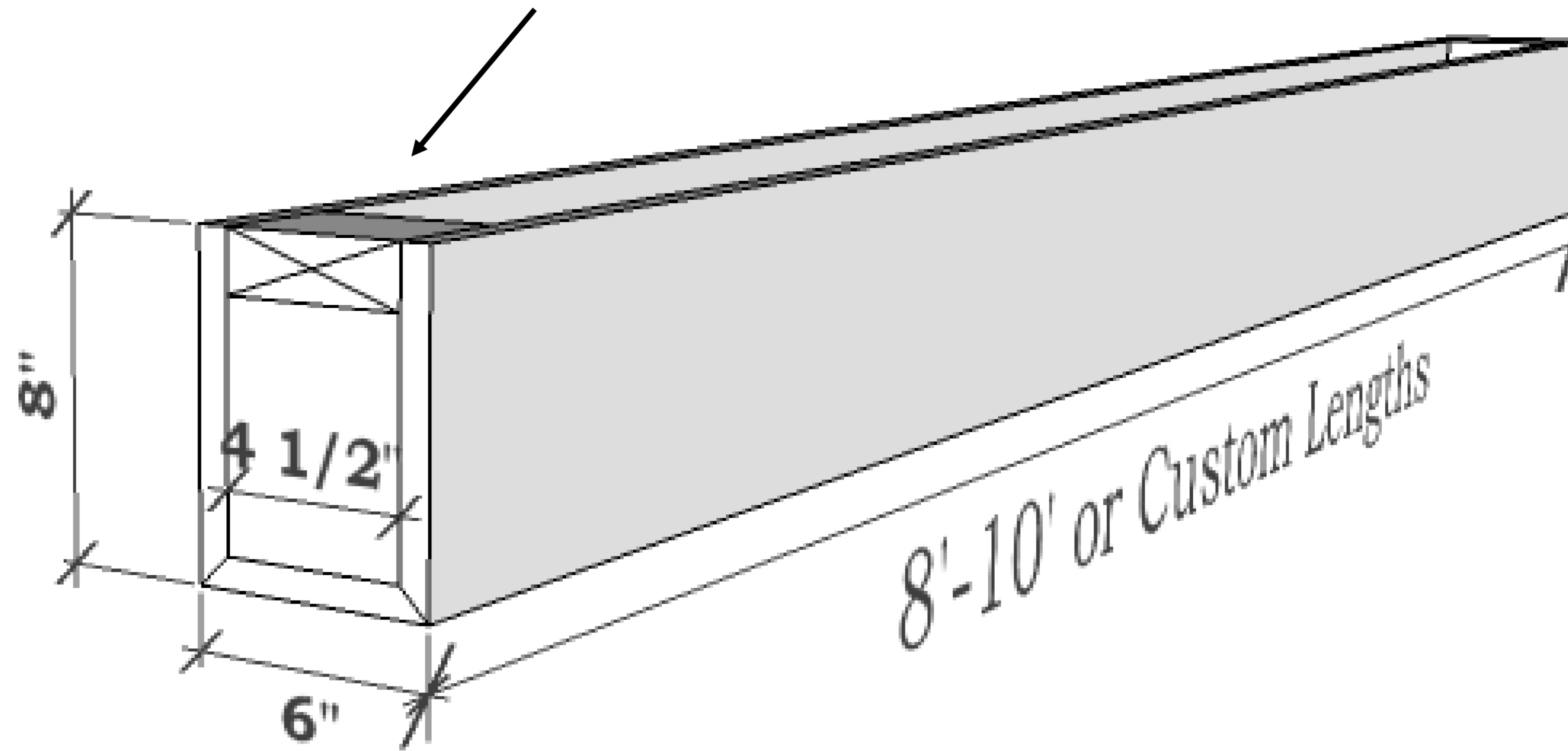
**Miter Fold Beam**



**Box Beam**



**Wood Blocking attached to 15/16",  
 Drywall Grid System or Decking Above**



**Plank Details**

- **Wood Species:** See Wood Options
- **Lengths:** Standard= 2'-8' Random  
Custom Lengths Available
- **Fire Rating** Class A or Class C
- **Cores:** Particle Board or MDF Core

**Beam Dimensions: 4'x6', 6'x6', 8'x6' Or Custom Width**  
**Beam Lengths- 8', 10' or Custom Lengths**  
**Core: 3/4" Particle Board or MDF**



fifth wall designs

5th Wall Designs  
 3011 82nd Lane NE  
 Blaine, MN 55449  
 P: 1-877-584-9255  
 D:763-780-4935  
 fifthwalldesigns.com

**Product Drawing**  
**Product # 5W-MF868**  
**Miter Fold Beams**  
**or Box Beam**